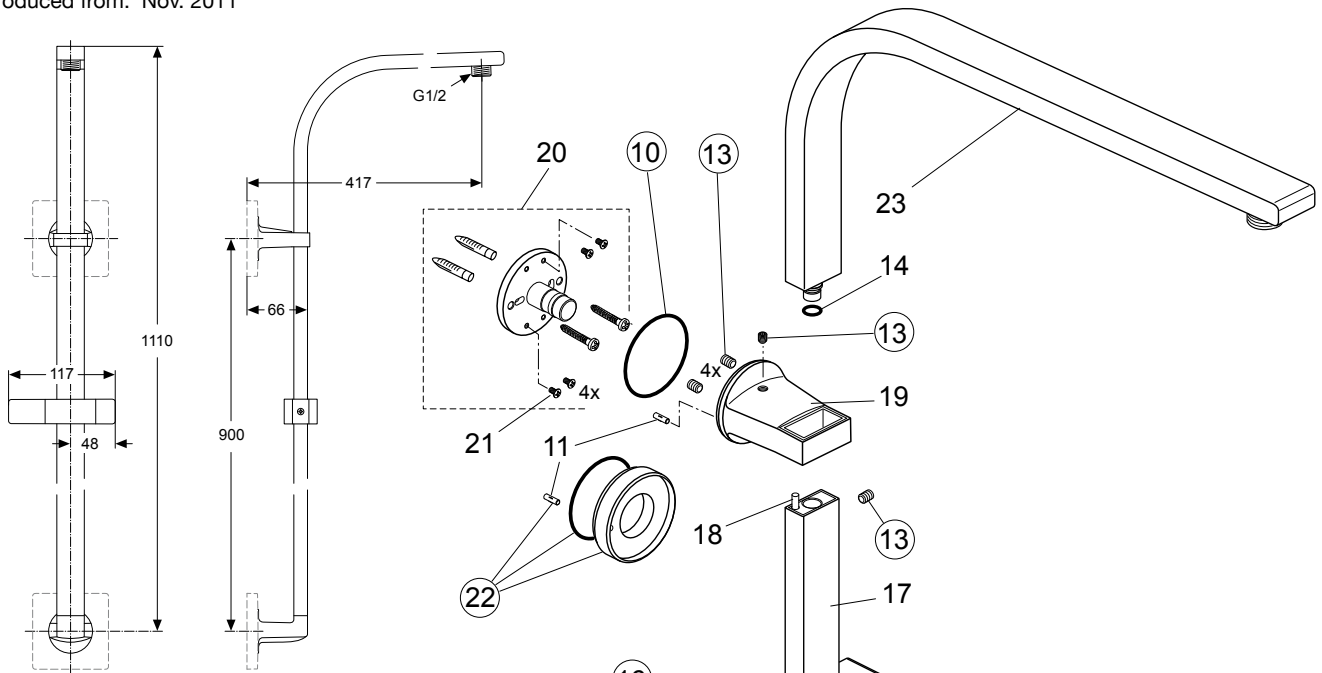
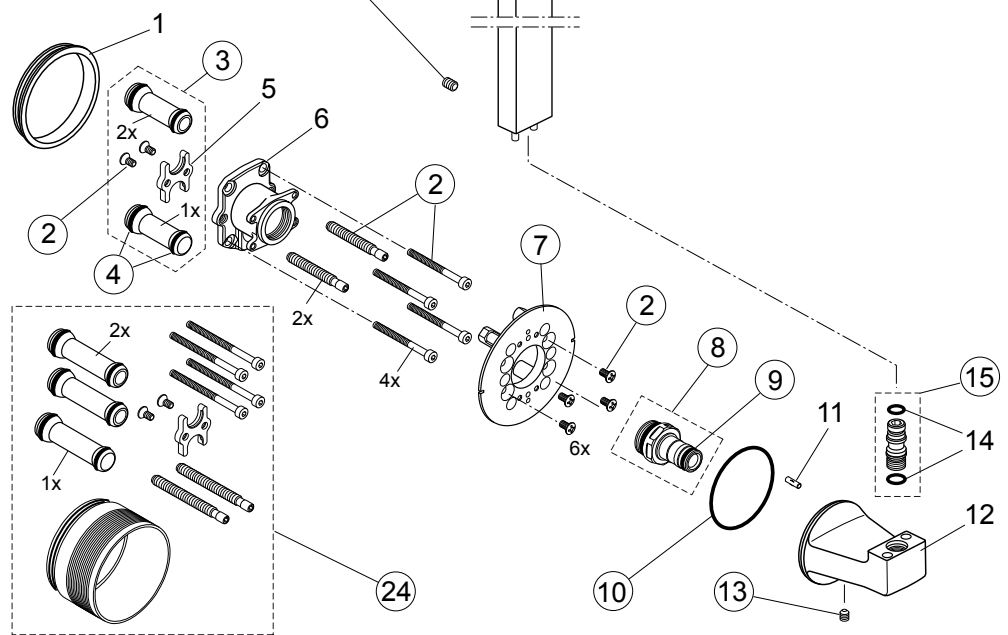


Produced from: Nov. 2011



Kit 2 - Shower bar with G1/2 Connector for Head shower & Slider for hand spray chrome
A1530AA



Replace XX with the appropriate finish code
chrome = AA,

Example spare part order:
A 860 870 AA in chrome

| Pos. | Description | Part-Number | Qty. | Pos. | Description | Part-Number | Qty. |
|------|-----------------------------------|---------------------|-------|------|---------------------------------|---------------------|-------|
| 1 | Seal ring | | | 14 | O-rings Ø7x1,5 u. Ø7,65x1,78 | | |
| 2 | Screw set vol./conn. valve | A 860 842 NU | 1 pcs | 15 | Fixation nipple shr. bar | A 860 872 NU | 1 pcs |
| 3 | Ball canal / connector | A 860 847 NU | 2 pcs | 16 | Slider / hand spray holder | A 860 870 XX | 1 pcs |
| 4 | O-ring set Ø10 + Ø13x2,5 | A 860 852 NU | 1 Set | 17 | Shower bar pipe | | |
| 5 | Flange / fixation / holder | | | 18 | Groove pin 4x18 ISO8741 | | |
| 6 | Body for vol. valve & accessories | | | 19 | Wall Fixation shower bar | | |
| 7 | Escutcheon holder | A 860 853 NU | 1 Set | 20 | Flange fixation kit complete | | |
| 8 | Connector nipple open | A 860 867 NU | 1 pcs | 21 | Counter sunk screw M3x6 DIN 963 | | |
| 9 | O - ring Ø10 x 2 | A 963 495 NU | 2 pcs | 22 | Distance plate Ø51 cpl. | A 860 825 XX | 1 Set |
| 10 | O - ring Ø41 x 1,78 | A 961 863 NU | 1 pcs | 23 | Shower bar pipe head shower | | |
| 11 | Groove pin 3x10 DIN1474 | | | 24 | Extension kit 15mm longer | A 963 738 NU | 1 Set |
| 12 | Wall connection elbow | | | | | | |
| 13 | Thread pin M5x5 | A962 625 NU | 1 Set | | | | |