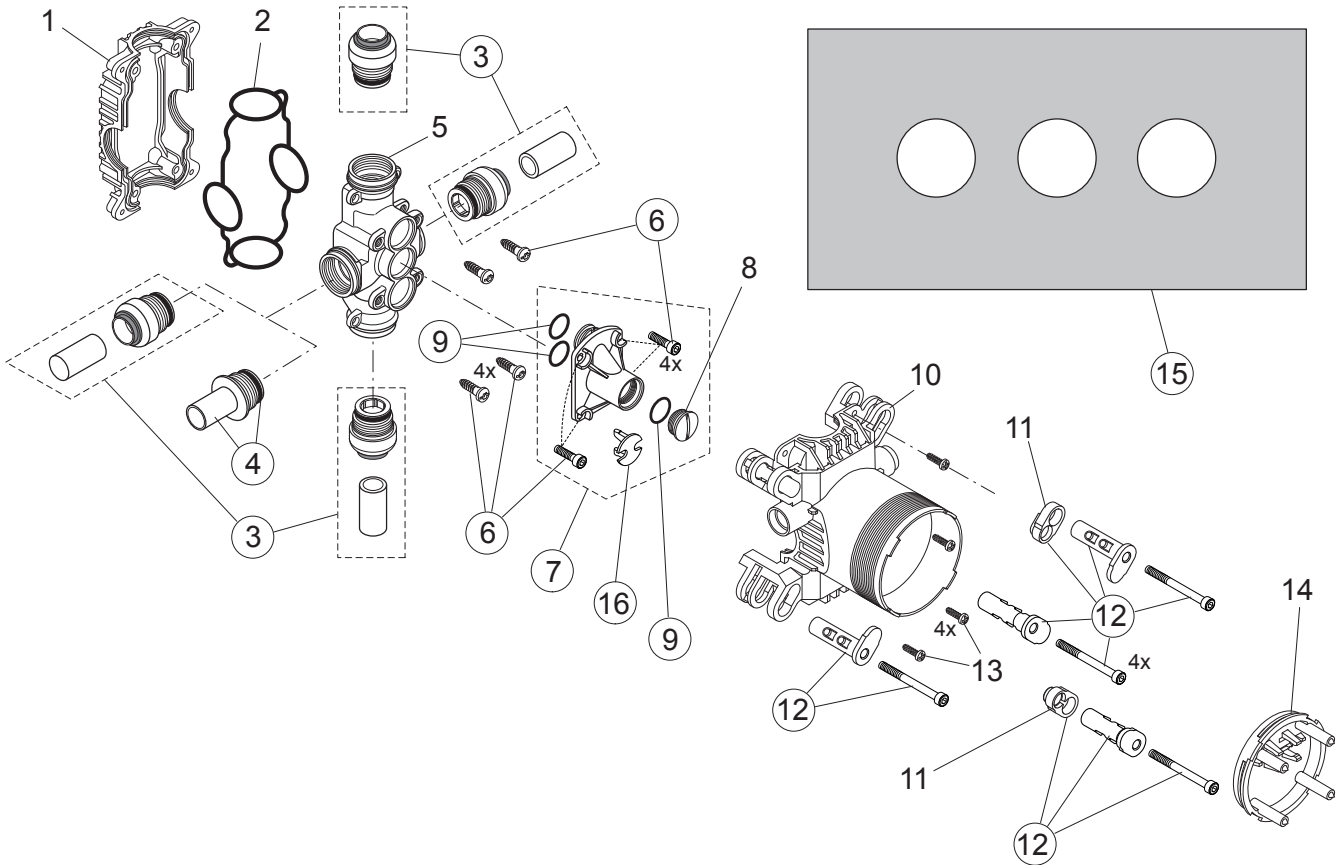
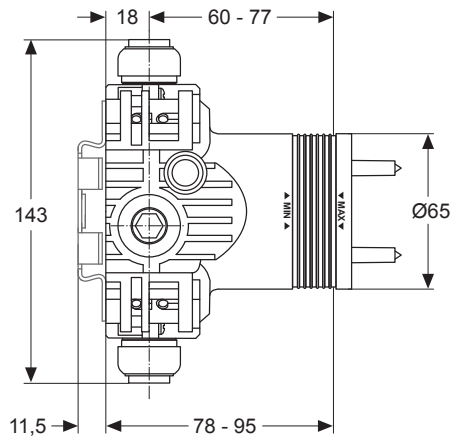
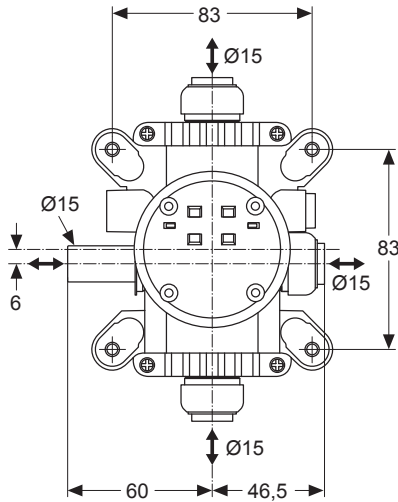


Produced from: Nov. 2011

Pre-Installation Kit Universal
A1501NU



Pos.	Description	Part-Number	Qty.	Pos.	Description	Part-Number	Qty.
1	Built-in box Universal / bottom			11	Fixation spacing plate		
2	Sealing set built-in box			12	Fixation/Connector+screw	A 860 841 NU	1 Set
3	Connector Tectite +stopper	A 860 830 NU	1 pcs	13	Screw set for built-in box		
4	Adapter pipe with o-ring	A 860 831 NU	1 pcs	14	Cover for built-in box		
5	Body built-in Universal			15	Sealing fleece - Set	F 960 841 NU	1 Set
6	Screw set Body complete	A 860 833 NU	1 Set	16	Plug for flushing device	F 960 842 NU	10 pcs
7	Flushing device complete	A 860 834 NU	1 Set				
8	Plug M15 x 1						
9	O - ring Ø13 x 1,5 + 2,5	A 860 836 NU	1 Set				
10	Built-in box Universal /top						