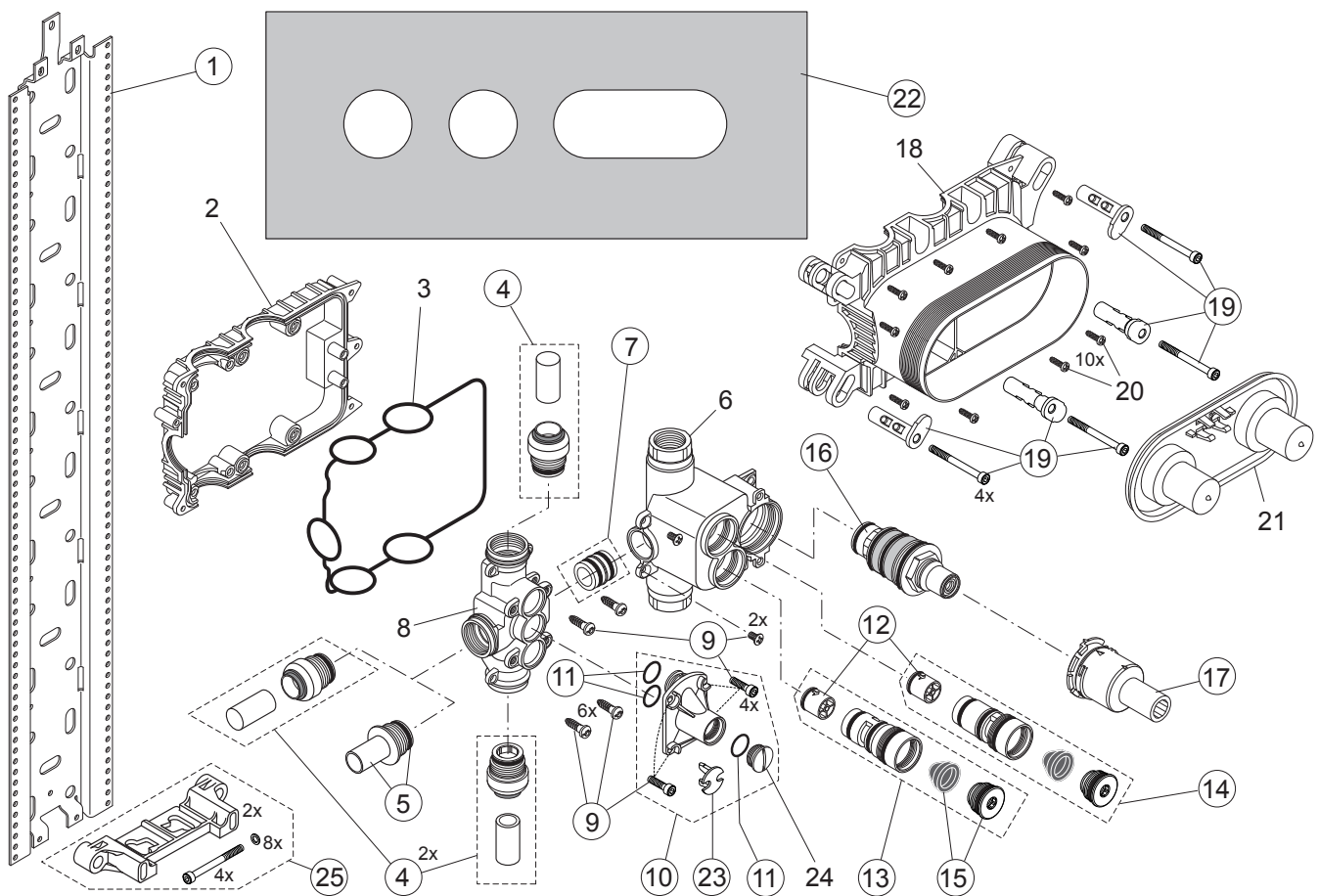
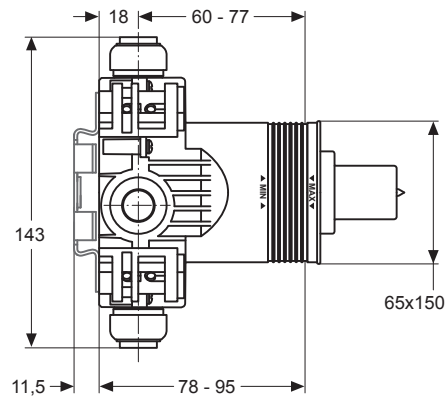
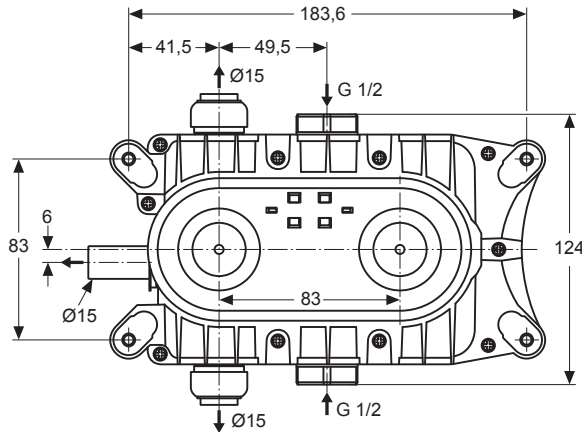


Produced from: Nov. 2011

Pre-Installation Kit Thermostat
A1500NU



Pos.	Description	Part-Number	Qty.	Pos.	Description	Part-Number	Qty.
1	Fixation rail 60cm	A 1503 NU	1 pcs	14	Valve / low noise cold wtr.	A 860 838 NU	1 pcs
2	Built-in box Therm. / bottom			15	Low noise insert	A 860 839 NU	1 pcs
3	Sealing set built-in box			16	Thermostat cartridge cpl.	A 962 229 NU	1 pcs
4	Connector Tectite +stopper	A 860 830 NU	1 pcs	17	Temperature adjustment	A 860 840 NU	1 pcs
5	Adapter pipe with o-ring	A 860 831 NU	1 pcs	18	Built-in box / top		
6	Body built-in Thermostat			19	Fixation/Connector+Screw	A 860 841 NU	1 Set
7	Connector nipple + o-ring	A 860 832 NU	1 pcs	20	Screw set for built-in box		
8	Body buit-in valve & accessories			21	Cover for built-in box		
9	Screw set Body complete	A 860 833 NU	1 Set	22	Sealing fleece - Set	F 960 841 NU	1 Set
10	Flushing device complete	A 860 834 NU	1 Set	23	Plug for flushing device	F 960 842 NU	10 pcs
11	O - ring Ø13 x 1,5 + 2,5	A 860 836 NU	1 Set	24	Plug M15 x 1		
12	Non-return valve DW15	A 962 594 NU	2 pcs	25	Fixation set rail / pre-inst.	A 963 713 NU	1 Set
13	Valve / low noise hot water	A 860 837 NU	1 pcs				