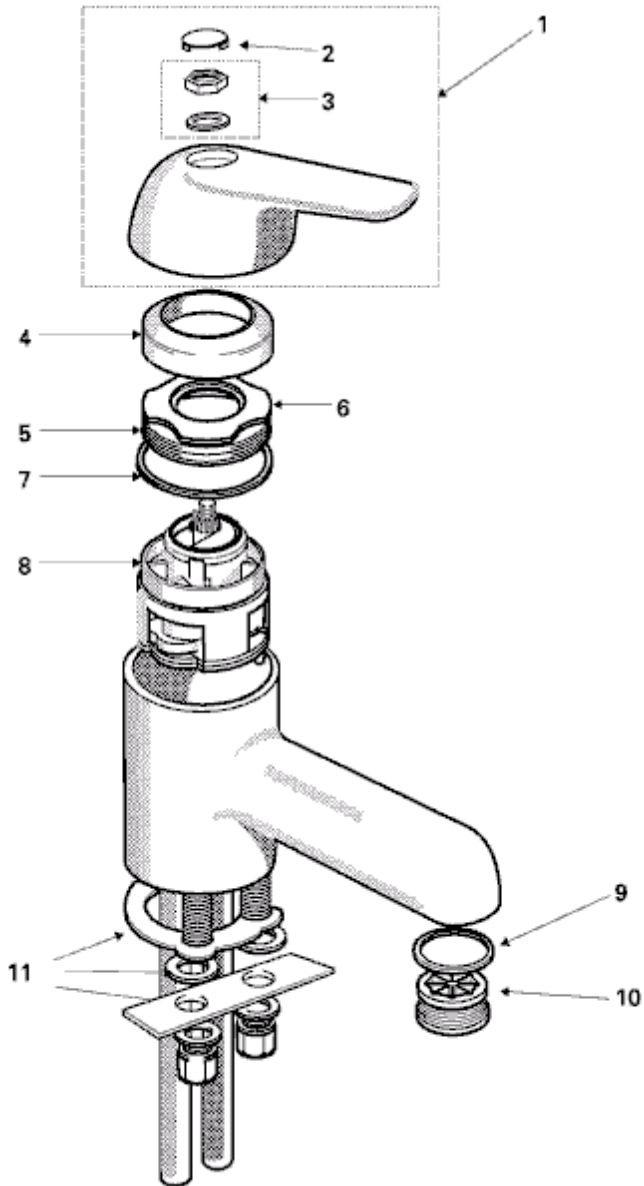


<p>



Ref.	Description
1	Handle complete
2	Handle cap
3	Nut and washer for handle
4	Shroud
5	Cartridge locking nut
6	O ring - for escutcheon retention
7	O ring
8	Large multiport cartridge
9	O ring
10	Flow straightener
11	Fixing kit including fixing bar

Part No.
A963207--
A963166LJ
A961974NU
A963155--
A963156AA
A962639NU
E912769NU
A953190NU
A963163NU
A961039NU
A963171NU

NB -- colour/finish options

Chrome = AA
Light Gold = AZ