

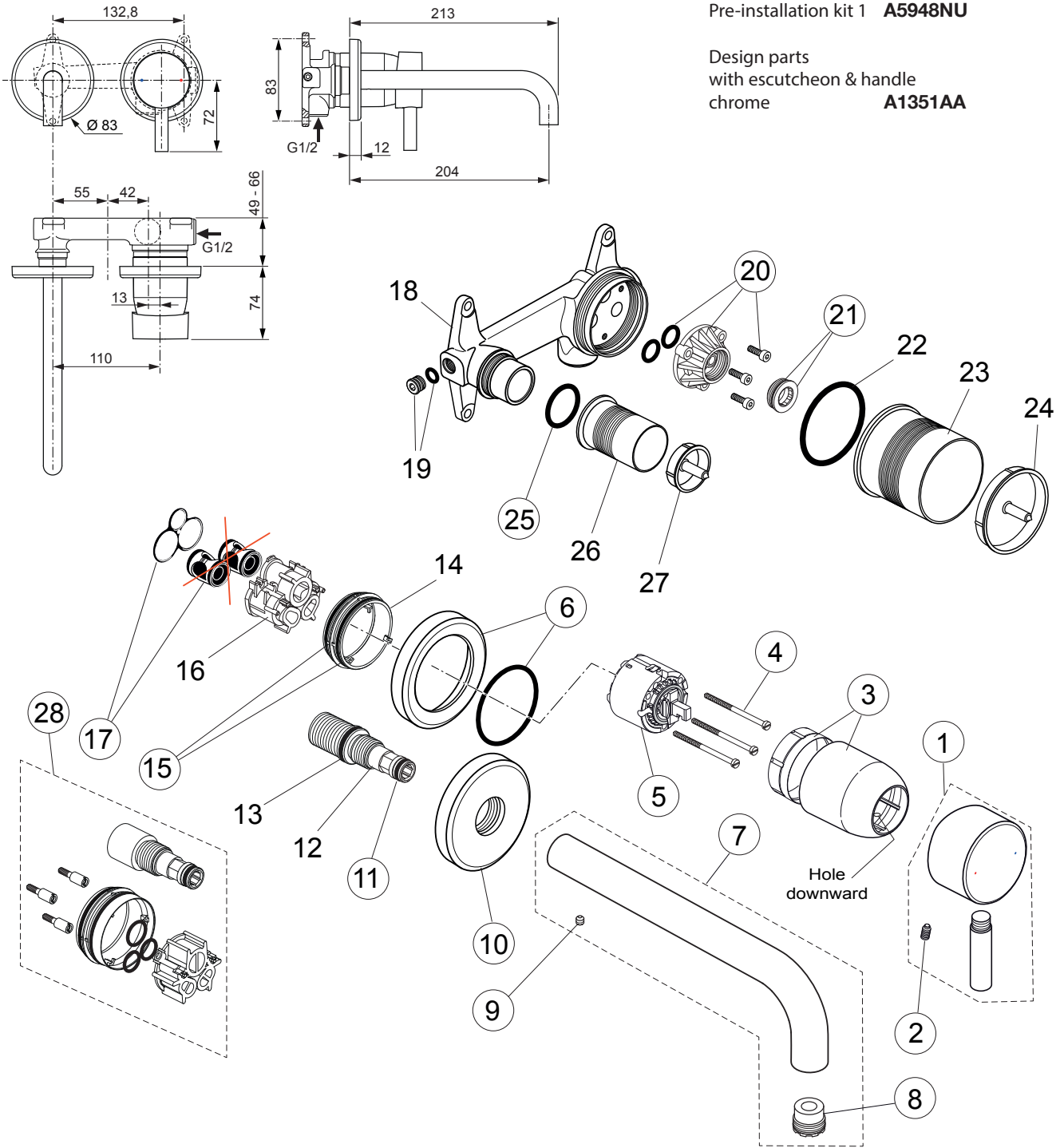
Edit R A1351..

Armitage
Shanks

Produced from: **May 2019**

Pre-installation kit 1 **A5948NU**

Design parts
with escutcheon & handle
chrome **A1351AA**



Pos.	Description	Part-Number	Qty.	Pos.	Description	Part-Number	Qty.
1	Lever cpl. with print R/B	A 861 365 AA	1 Set	15	O - ring Ø 47,3 x 1,78	A 963 526 NU	2 pcs
2	Thread pin M5x6 / M4x6	A 963 667 NU	1 Set	16	Plastic insert		
3	Cover cap + clamping ring	A 960 364 AA*	1 Set	17	Low noise insert complete	A 963 524 NU	1 Set
4	Cylindrical screw M4x69	A 963 783 NU	3 pcs	18	Body (built-in)		
5	Cartridge	A 960 500 NU*	1 Set	19	Superior block M10x1		
6	Escutcheon Ø83mm with O-ring Ø 53,57 x 3,53	F 960 966 AA	1 Set	20	Flushing device complete	F 960 881 NU	1 Set
7	Spout 204mm projection	A 861 366 AA	1 pcs	21	Plug with o-ring	A 963 548 NU	1 pcs
8	Aerator M16,5x1 1GPM	A 860 938 NU	1 Set	22	O - ring Ø 54 x 2,5		
9	Thread pin M4x4 DIN916	A 962 270 NU	1 pcs	23	Plaster guard for cartridge		
10	Escutcheon Ø83mm spout	F 960 967 AA	1 pcs	24	Cover for pos. 24		
11	O - ring Ø 10 x 2	A 963 495 NU	2 pcs	25	O - ring Ø 26 x 2,5	A 860 845 NU	1 pcs
12	Connector spout			26	Plaster guard for spout		
13	O - ring Ø 19 x 2,5			27	Cover for pos. 26		
14	Plastic ring			28	Extension kit 20mm longer	F 960 866 NU	1 Set

* Universal-Set (not all parts needed)