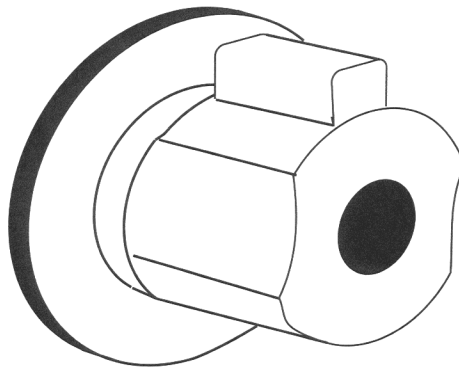


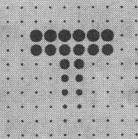
# TREVI TWO & THREE WAY DIVERTORS

---



## **INSTALLER**

After installation pass to user for future reference



TREVI SHOWERS

## **Installation instructions**

---

**482 Trevi two way divertor**

**582 Trevi three way divertor**

---

The Trevi multi-function divertors - Two Way No: 482, and Three Way No: 582, are designed to be installed alongside other shower products such as Trevi Blend (manual) and Trevi Therm/Trevi Central Thermostatic Mixing Valves. They will divert the flow of mixed water to fixed overhead shower heads, exposed shower kits, body jets, and wall or rim mounted bathspouts.

**NOTE: THE PERFORMANCE OF WATER FLOW THROUGH THE MULTI FUNCTION DIVERTORS WILL DEPEND ON THE PERFORMANCE OF THE MIXED WATER SUPPLY FROM THE MANUAL OR THERMOSTATIC MIXER VALVE. IF AN OUTLET IS CHOSEN TO SUPPLY MIXED WATER TO A WALL OR RIM MOUNTED SPOUT FOR BATH FILLING PURPOSES, ENSURE THAT THE OUTLET MARKED WITH THE BATH SYMBOL IS SELECTED FOR THIS PURPOSE SINCE THIS OUTLET PROVIDES THE HIGHEST FLOW RATE PERFORMANCE.**

#### **WATER SUPPLIES**

All inlet and outlet connections are 1/2" BSP. The supply pipework to the Trevi multi function divertors should be made using 1/2" BSP male to 15mm/22mm compression fittings. Trevi multi function divertors are designed to function on pressures between 0.5 and 10.0 bar. It is recommended that the mixed water temperature should not exceed 65°C.

#### **WATER BYELAWS INSTALLATION INSTRUCTIONS**

**The following Installation Requirement Note (IRN) applies to the Divertor Valves listed in the water fittings directory**

**No. 482 Trevi Two Way Divertor**

**No. 582 Trevi Three Way Divertor**

#### **IRN No. 111**

##### **IRN 111 - Byelaws 29, 58 and 73**

The fitting should be installed so as to be readily accessible for examination, repair, replacement or operation.

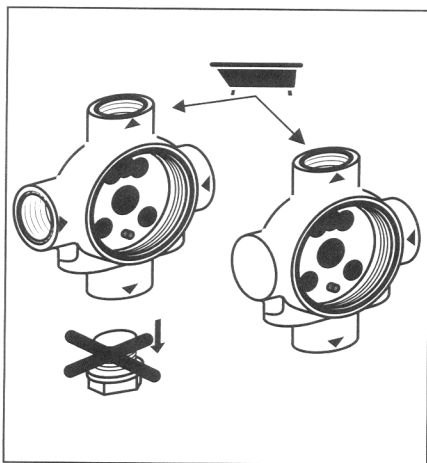
Every divertor installed in accordance with this Part of the byelaws shall be so placed that so far as reasonably practical it can be readily examined, maintained and operated.

Every backflow prevention device shall, so as far as is reasonably practicable, be installed so that it is accessible for examination, repair or replacement.

BACKFLOW PREVENTION DEVICE means either a Type A or Type B air gap, a check valve, a double check valve assembly, a combination of check valve and vacuum breaker, a pipe interrupter, or some other water fitting or arrangement of water fittings designed to prevent backflow or backsiphonage of water.

**All Water Byelaw information given on this page is reproduced with the kind permission of the WRc Water Byelaws Advisory Service.**

Connections on the Trevi multi-function diverter bodies are 1/2" BSP female. The incoming mixed water supply **MUST** be connected to the inlet connection as incorrect installation will result in malfunction.

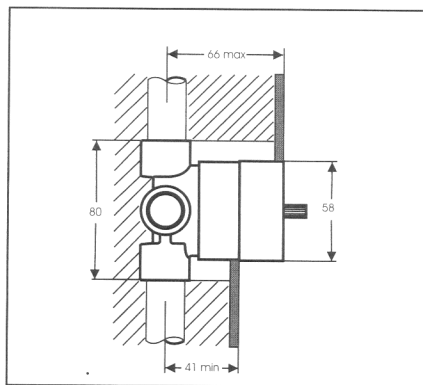


**WARNING: DO NOT SEAL ANY OUTLET CONNECTIONS ON THE DIVERTOR BODY AS THIS WILL DAMAGE THIS FITTING. SELECT THE CORRECT TYPE OF BODY TO SUIT THE REQUIRED INSTALLATION.**

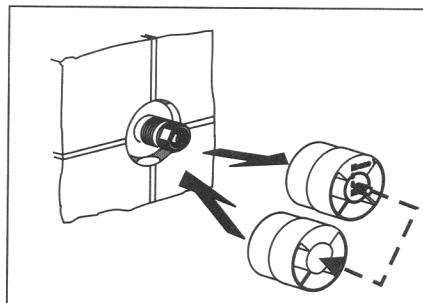
**DO NOT SOLDER CLOSE TO THE DIVERTOR BODY AS THIS WILL ALSO DAMAGE THE INTERNAL COMPONENTS OF THE DIVERTOR BODY.**

An isolation valve(s) should be fitted to the incoming water supply(ies) to manual or thermostatic mixing valves. This will allow isolation of the diverter for maintenance without disrupting other water services within the property.

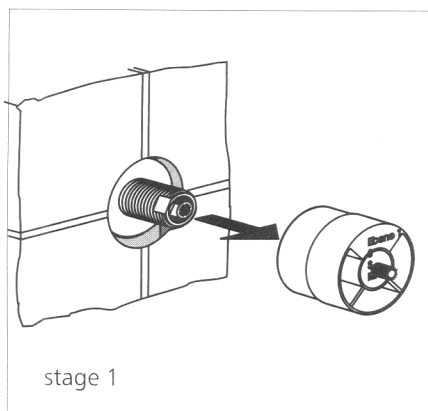
The diverter body is designed to be recessed into the wall and the depth of recess should be measured from the finished wall surface to the centre of the inlet/outlet connections on the divertor body. There is an adjustment of 25mm in the installation depth. The minimum and maximum depths are indicated on the plaster guard.



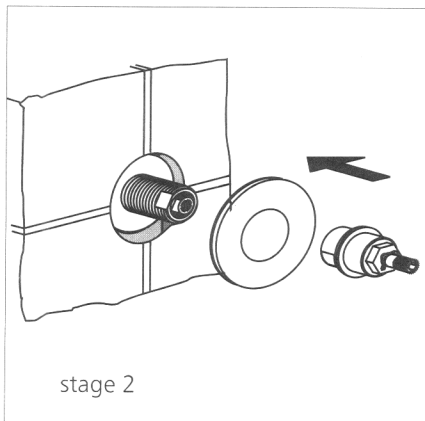
Once the divertor body has been built into the wall, and the connecting pipework is complete, test the divertor for correct function and leakage. Use the plaster guard for this purpose. Rotate the plaster guide anti-clockwise to remove, the splined pin on the front of the plaster guard can be used then for testing purposes.



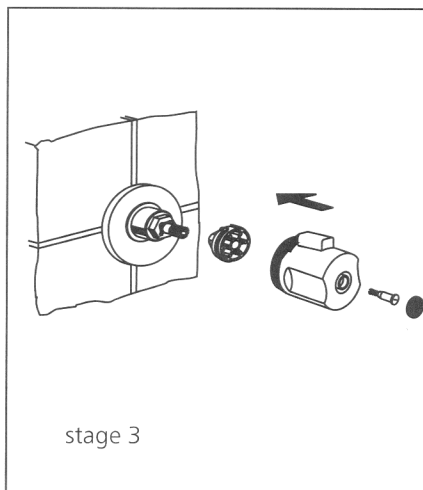
- 1 Remove the plaster guard by rotating anti-clockwise.



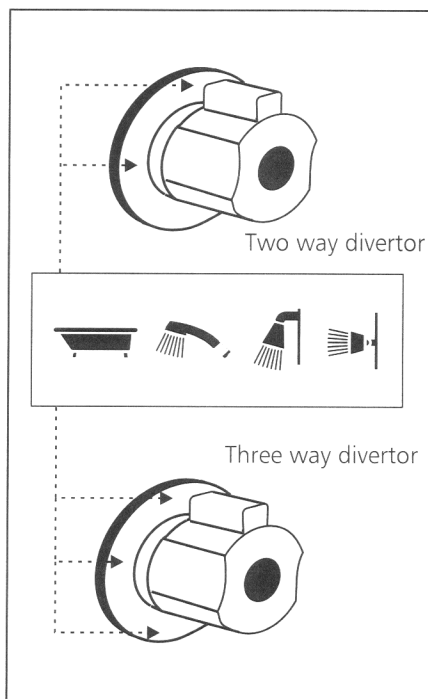
- 2 Place the escutcheon plate into position and screw in place the extension valve.

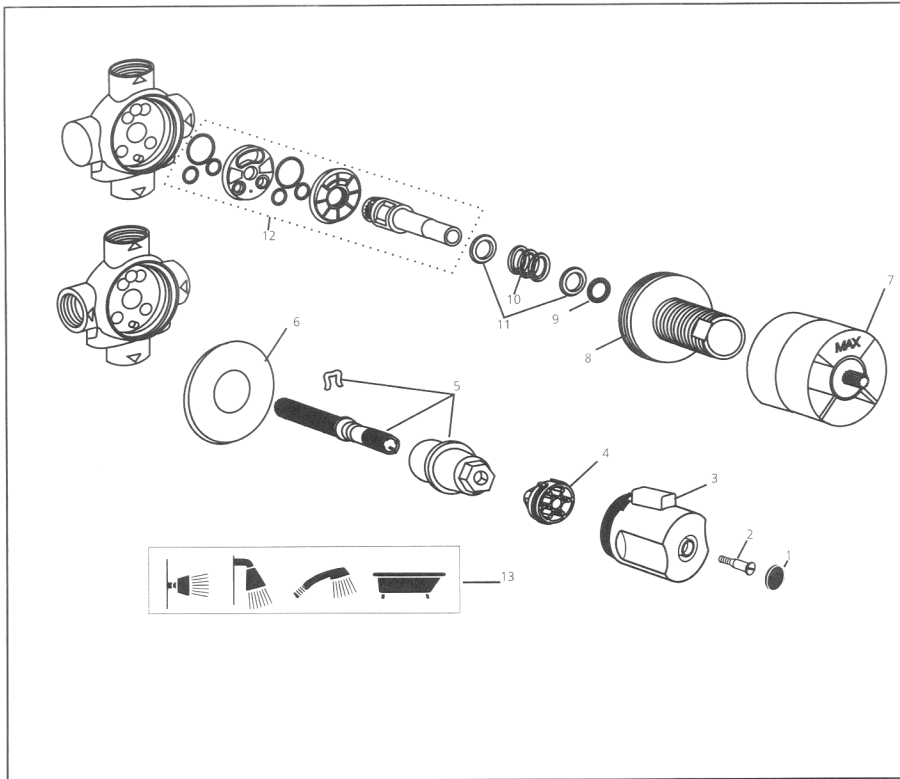


- 3 Fit the handle carrier, ensure that the arrow is at the 12 o'clock position to allow correct handle fitting. Fit the handle and secure with fixation screw and finally push on handle cap.



- 4 Place the symbols onto the wall escutcheon plate as required.



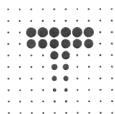

**Ref No. Description**

- 1 Trevi therm handle cap
- 2 Handle fixation screw
- 3 Trevi therm diverter handle
- 4 Handle carrier
- 5 Escutcheon holder and extension spindle
- 6 Escutcheon ring
- 7 Plaster guard
- 8 "O" ring (large)
- 9 "O" ring (small)

**Ref No. Description**

- 10 Spring
- 11 Fibre washers
- 12 Diverter working components kit complete
- 13 Symbols/transfers

SPARES: Please state description and spare code when ordering.



TREVI SHOWERS

Trevi Showers  
The Bathroom Works  
National Avenue  
Kingston upon Hull  
HU5 2HS England  
Telephone: (01482) 470788  
Telefax: (01482) 445886

**01482 499380**

**CUSTOMER CARE HELPLINE**

**01482 499611**

**CUSTOMER CARE FAX**

Trevi Showers pursue a policy of continuing improvement in design and performance of its products.

The right is therefore reserved to vary specification without notice.

Trevi Showers is a division of Ideal Standard Limited.

Trevi is a trademark of Ideal Standard Limited.

A division of American Standard (UK) Co.

TS34 06/97